

PVD COLLECTION 2021

CARYSIL
Steeltechnik



CARYSIL
Steeltechnik



CARYSIL
Steeltechnik

PVD TECHNOLOGY	2
HOW WE DO IT?	3
WHY PVD?	5
PVD COLLECTION	9
GUIDELINES TO CLEAN PVD SINKS	21



PVD TECHNOLOGY

PVD stands for Physical Vapour Deposition. This futuristic process creates a molecular bond to our sinks and faucets resulting in the most durable finish possible today. Carysil's products with PVD finish will not corrode, discolour, or tarnish.



HOW WE DO IT?

The parts are loaded into a vacuum chamber, where they are cleaned at a molecular level by using gas ions. Then an electrical arc is deployed that vaporises metal which molecularly bonds to the parts making them extremely durable, highly brilliant, and born with a lifetime of anti-tarnishing.





Extremely durable



Salts, acids & Detergent resistant



Scratch proof



Anti-tarnish



No harmful chemicals are released in the environment while manufacturing



100% suitable for food use

WHY PVD?

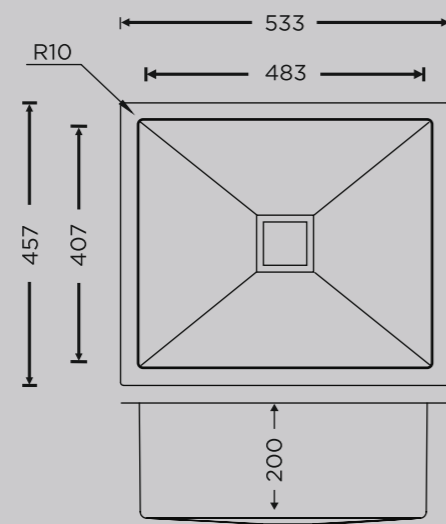
PVD has comparatively high hardness compared to conventional stainless steel sinks, high scratch, abrasion & corrosive resistance. They also resist salts, acids & detergent products present in domestic environment. PVD sinks remain truly a green product because no harmful chemicals are released into the environment while making them, The sinks are 100% suitable to food use. With this technology different finishes like, rose gold, yellow gold, gun metal & other vintage finishes are achieved.





MODEL CODE – PMQ2 – GUN METAL

DIMENSIONS



R10 21x18x8



COLORS



Gun Metal
INR 12,900/-



Rose Gold
INR 12,900/-

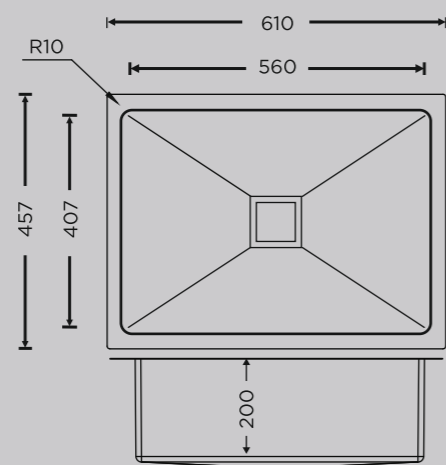


Yellow Gold
INR 12,900/-

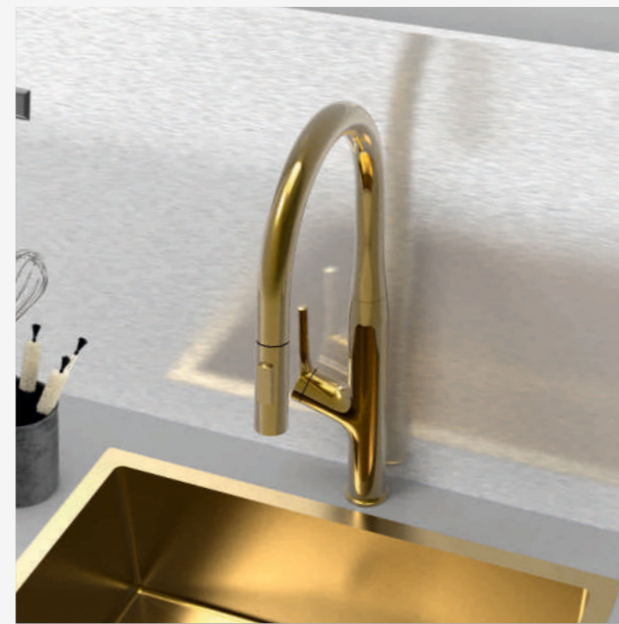


MODEL CODE – PMQ3 – YELLOW GOLD

DIMENSIONS



R10 24x18x8



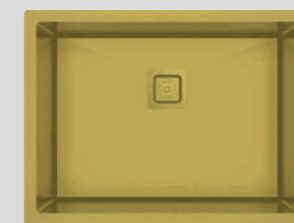
COLORS



Gun Metal
INR 13,900/-



Rose Gold
INR 13,900/-

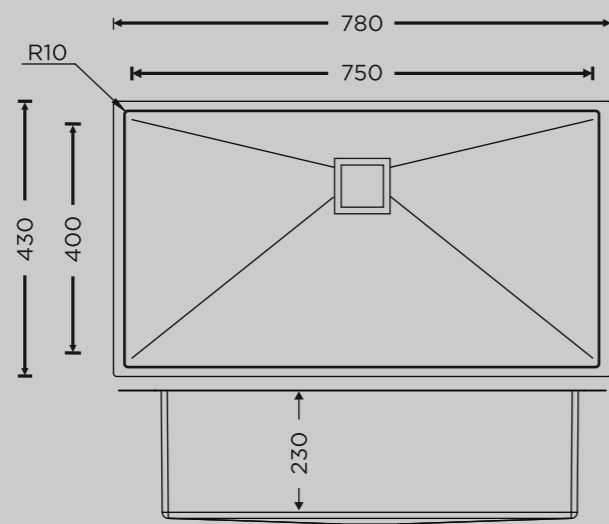


Yellow Gold
INR 13,900/-

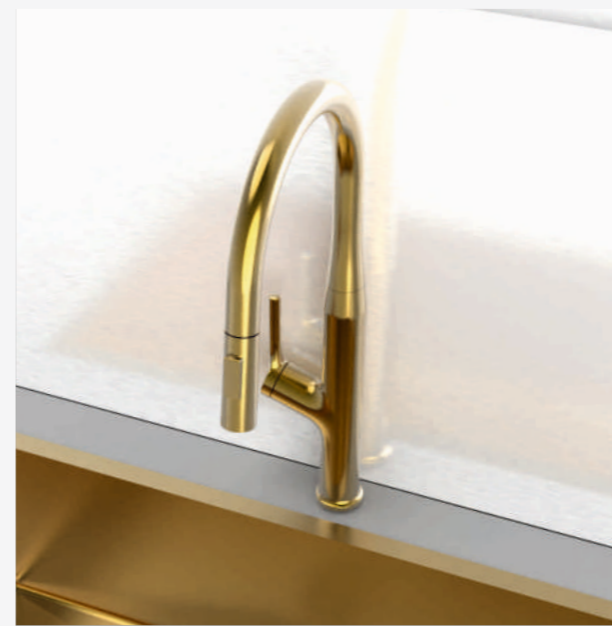


MODEL CODE – PMQ6 – ROSE GOLD

DIMENSIONS



R10 31x17x9



COLORS



Gun Metal
INR 18,900/-



Rose Gold
INR 18,900/-

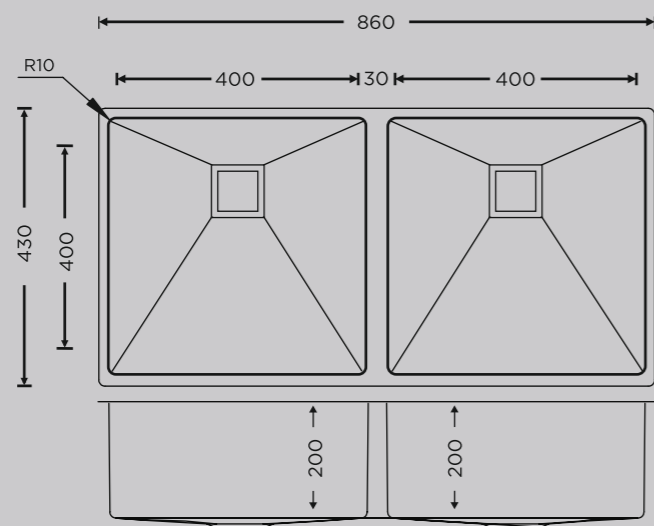


Yellow Gold
INR 18,900/-



MODEL CODE – PMQ9 – GUN METAL

DIMENSIONS



R10 34x17x8



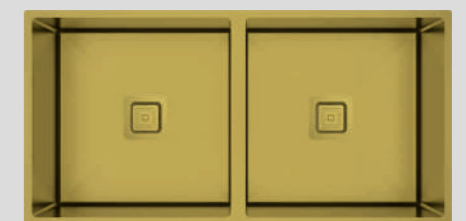
COLORS



Gun Metal
INR 24,900/-



Rose Gold
INR 24,900/-

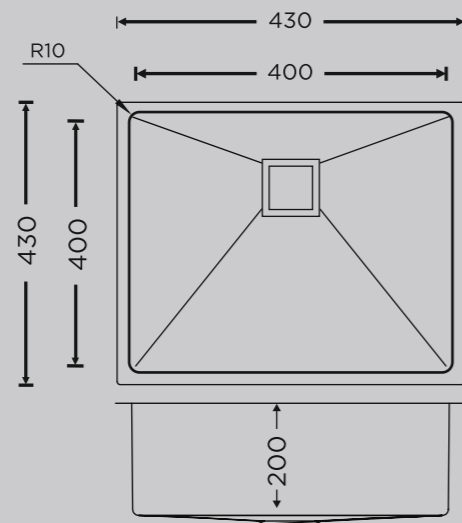


Yellow Gold
INR 24,900/-



MODEL CODE – PMQ10 – YELLOW GOLD

DIMENSIONS



R10 17x17x8



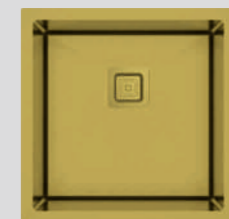
COLORS



Gun Metal
INR 9,900/-



Rose Gold
INR 9,900/-



Yellow Gold
INR 9,900/-



GUIDELINES TO CLEAN PVD SINK

As like all materials, our PVD finish sinks requires regular cleaning and proper maintenance. Following the instructions below, you will be able to maintain the original state of the sink, over the years:

For everyday's maintenance, wash the sink with water and soap, or a product to wash the dishes, rinse abundantly, and do not forget to dry with soft cloth.

Do not use steel wool, wire brushes or abrasive sponge pads. Use only non- scratch cleaning pads.

Do not leave tomato residues, milk, coffee, etc. on the sink for long stretches of time; also, avoid long contacts with metal utensils with wet bottoms, and iron objects in general.

Like all materials, Carysil PVD stainless steel is prone to scratches. Take care to avoid strikes, dropping heavy object into the sink and not using utensils which can scratch the surface. Avoid contact with chemicals, metal products and metal brushes.

Always apply stainless steel cleaner with a nonabrasive cloth or sponge, working with, not across, the grain.

Do not use on cooking utensils, such as pots, pans, knives or cutlery or on artificial stainless surfaces.

Consider sink accessories such as bottom grid and rinse baskets to help protect the surface from scratches.

Please note that the long contact of any of the above-mentioned substances with the sink can originate a corrosive attack of electrochemical nature, even though very mild.

Any residue left on the surface of the sink, needs to be eliminated.





ATTENTION



Rinse accurately after use, and dry with a clean cloth



To clean the sink, normal detergent can be used, as long as it does not contain hydrochloric Acid (Commercial Muriatic acid) or its derivatives



In case of persistent stains, try to clean with some warm vinegar or with specific products for Stainless steel



Do not use steel sponges to clean the sink, or any other item that could scratch the surface



Avoid using muriatic acid or bleach



Do not leave iron objects on the sink for long



In areas where the water is hard, a deposit of limestone can build up. If this occurs an anti scale product can be used, correctly diluted with the water. Rinse thoroughly with Water and dry.



Please keep this instructions leaflet

CARYSIL

CARYSIL CONTACTS

OFFICES

Factory and Headquarters:
 Survey No.312, Bhavnagar-Rajkot Highway, Navagam, Vartej, Bhavnagar, Gujarat 364060, India
 T: +91 278 2540218 / 2540893
 F: +91-278-2540558
 M: info@carysil.com

Registered Office:
 A-702, 7th Floor, Kanakia Wall Street, Andheri - Kurla Rd, Chakala, Andheri East, Mumbai, Maharashtra 400093

Delhi Office:
 B-30, Okhla Industrial Area Phase-1, ND-110020
 Ph. 85888 48960

Bengaluru:
 253/A, Mdr House, Jayanagar, 7th block, Kanakapura, Main Road, Bengaluru - 560 070
 Ph. 7406088993

SHOWROOMS

Mumbai:
 Unit No.14, B Wing, Ground Floor, Laxmi Business Park, Laxmi Industrial Estate, New Link Road, Andheri West, Mumbai, Maharashtra 400053
 T: 022 - 4970 4710

Ahmedabad:
 Stellar, 108 1st floor, Sindhu bhavan marg, Bodakdev Ahmedabad, Gujarat 380054

Bhavnagar:
 G-2, Atlanta Building, Atabhai Road, Bhavnagar 364001
 T. 91-278- 2225553

Disclaimer

• Product shown here is only for demonstration purpose, actual product mayvaryfrom the product as shown in the catalogue. • Specication of the product may change without any prior intimation. • All the test/performance are according to standard condition. • we are not providing post sales service-24x7. • Color shown is the representative color and mayvaryfrom the actual product. • Allsize in mm are approx.

NOTES
